

F

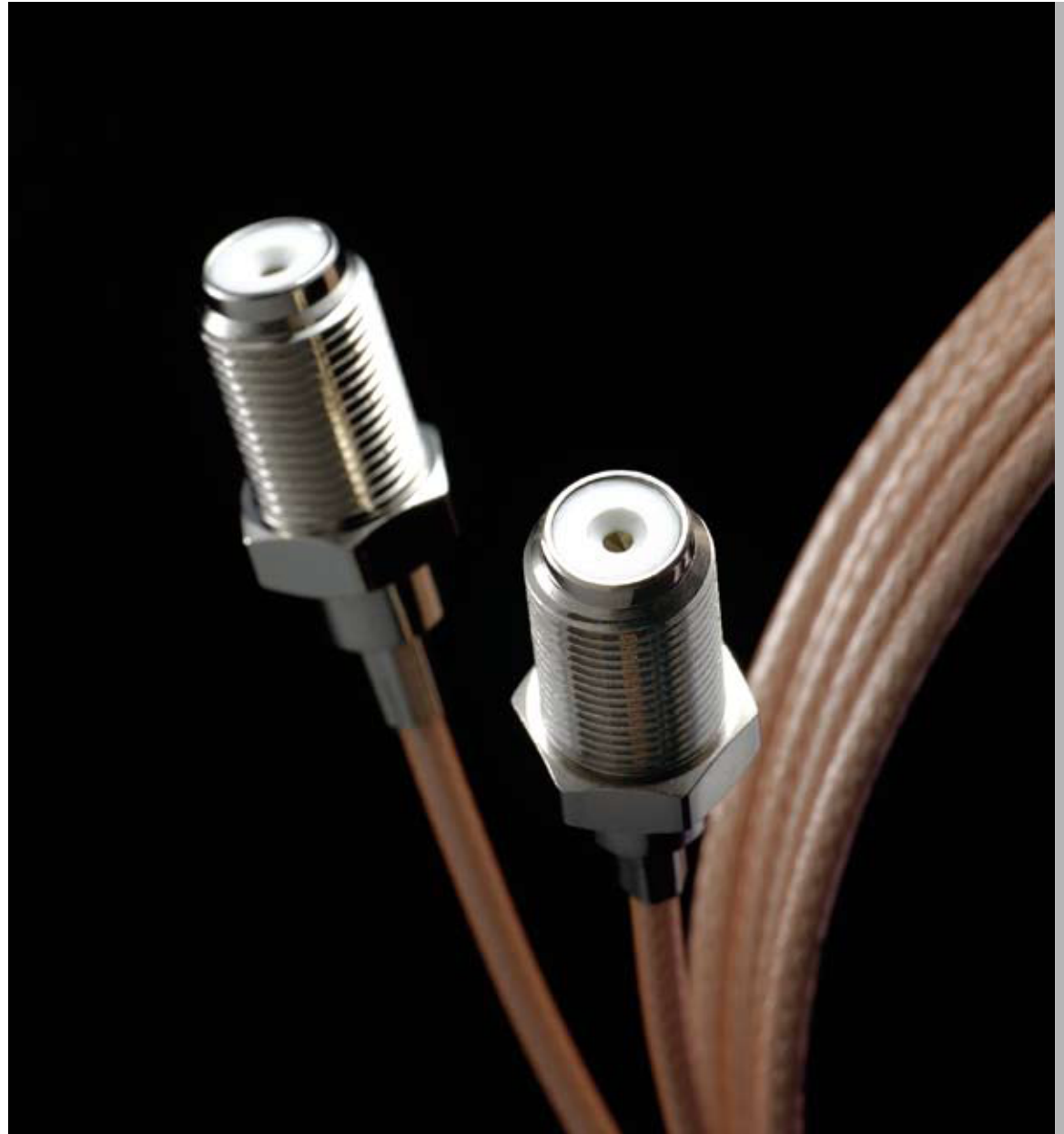
CONNECTOR SERIES

SPECIFICATIONS

CONTENT:

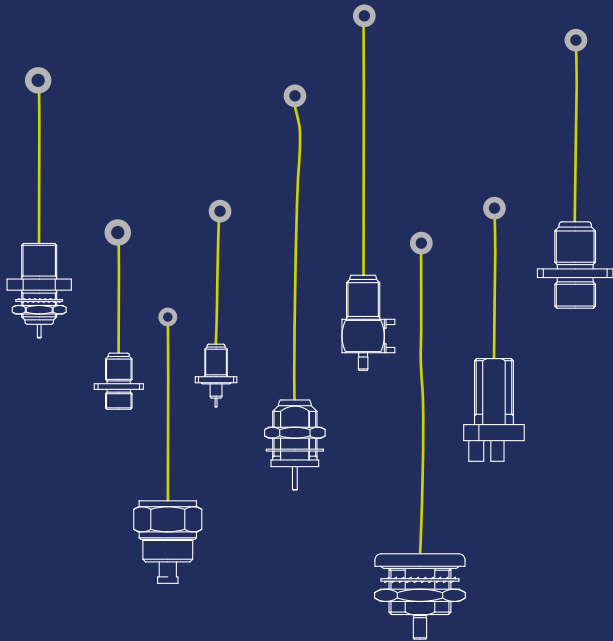
- R/A Crimp Plug
- Crimp Plug
- R/A PCB Mount Jack
- Bulkhead Recept Jack
- Panel Recept Jack
- Panel Jack To Bulkhead Jack Adaptor
- Bulkhead Crimp Plug
- Direct Solder Plug
- PCB Mount Crimp Jack
- End Launch Jack

Bridging Gaps



F series

F series are economically priced connectors specially designed for use with NTSC TV ANTENNA and other similar applications. Countries using the NTSC System include: The Bahama Islands, Canada, America, Japan, Korea, Mexico, Taiwan, the Philippines, and the U.S.A.



SPECIFICATIONS

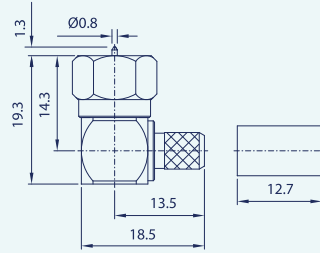
Electrical /

Impedance	75 Ohm	
Frequency Range	0 - 2 GHz	
Working Voltage	250 VRMS Max.	
Dielectric Withstanding Voltage	500 VRMS Min.	
VSWR	1.35 Max.	
Contact Resistance	Center Contact	5 Milliohms Max.
	Outer Contact	2 Milliohms Max.
Insulator Resistance	1000 Megohms Min.	

Material /

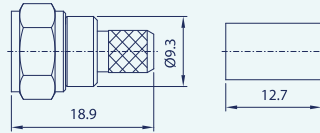
Parts Name	Material	Finish
Body, Metal Parts	Plug: Brass per QQ-B-626	Nickel 70 micro-inches
Center Contacts	Male: Brass per QQ-B-626	Gold 3 micro-inches
	Female: Phosphor Bronze per QQ-B-750	Gold 3 micro-inches
Insulators	Teflon, Delrin	None
Crimp Ferrules	Annealed Brass	Nickel 70 micro-inches
Clamp Gaskets	Synthetic Rubber	None

NOTE: Other Material / Finish is Available on Request.



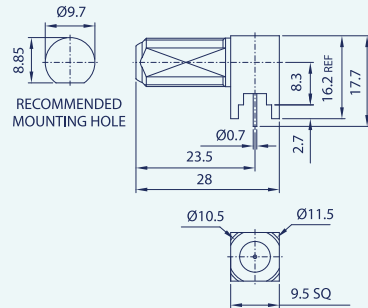
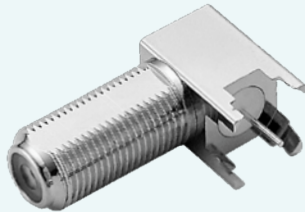
R/A CRIMP PLUG

Model No.	Cable Group	Impedance
FL72P1-NR7	RG- 59/U RG- 179/U, 187A/U	75



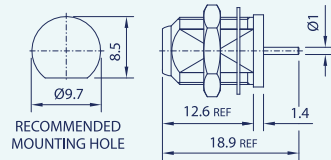
CRIMP PLUG

Model No.	Cable Group	Impedance
FL72P1-NS7	RG- 59/U RG- 179/U, 187A/U	75



R/A PCB MOUNT JACK

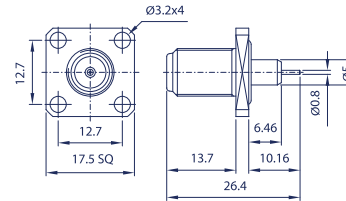
Model No.	Cable Group	Impedance
FL72J5-NR702	N/A	75



BULKHEAD RECEPT JACK

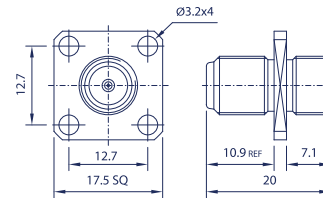
Model No.	Cable Group	Impedance
FL72J9-BS702	N/A	75

F series



PANEL RECEIPT JACK

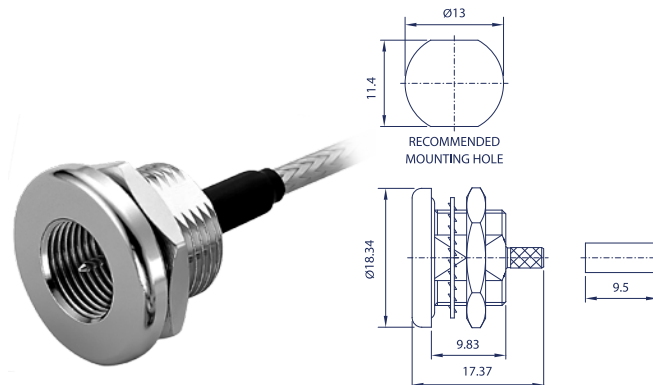
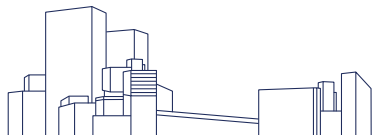
Model No.	Cable Group	Impedance
FL72J9-HS707	N/A	75



PANEL JACK TO BULKHEAD JACK ADAPTOR

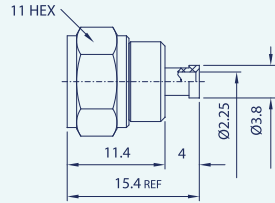
Model No.	Cable Group	Impedance
FL72G8-FS7	N/A	75

04



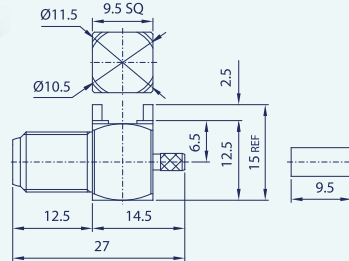
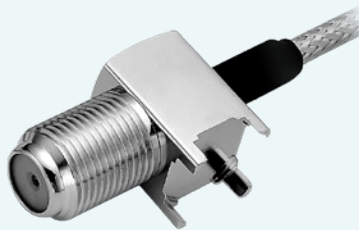
BULKHEAD CRIMP PLUG

Model No.	Cable Group	Impedance
FL72P1-CS7	N/A	75



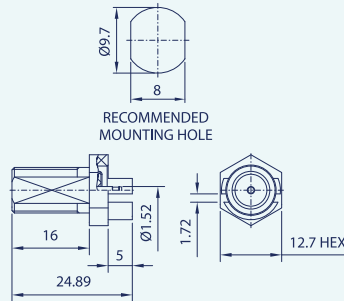
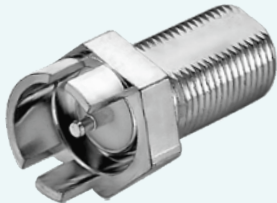
DIRECT SOLDER PLUG

Model No.	Cable Group	Impedance
FL72P2-NS7	N/A	75



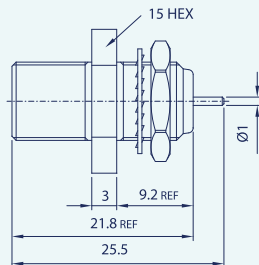
PCB MOUNT CRIMP JACK

Model No.	Cable Group	Impedance
FL72J1-BR7	RG-179U/D	75



END LAUNCH JACK

Model No.	Cable Group	Impedance
FL72J7-BS700	N/A	75



BULKHEAD RECEPT JACK

Model No.	Cable Group	Impedance
FL72J9-CS702	N/A	75